

OH3000TL/OH5000TL

Off-grid Hybrid Energy Storage PV Inverter

Specifications

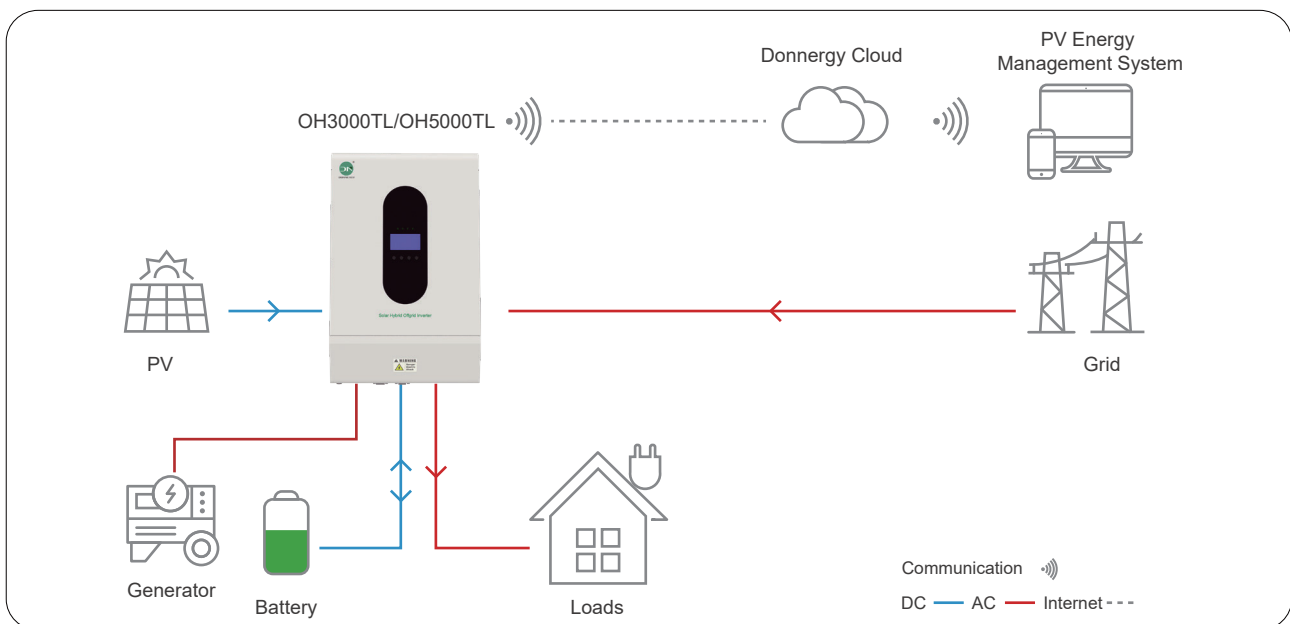


Features

- Multiple operating modes, off-grid and UPS, MPPT charger built-in.
- 48V Compatible with almost all 48V LiFePO4 battery pack.
- APP Integrated smart APP, can remotely diagnose and update.
- Max. 6pcs in parallel (Only OH5000TL).
- Suitable for customizing various PV Energy Storage System.
- Automatic activation of LiFePO4 battery pack.

This Off-grid Hybrid PV Inverter has both Off-grid and Energy Storage Function:

- Power generated by the PV array or a diesel generator or from the Utility Grid can be stored in a battery or to be used to power your loads.
- Power generated by the PV or stored inside the battery can be used to power your loads.
- Featured with UPS function, you can set the priority of the power supply, PV first, Utility Grid first or PV&Battery combined first per to your own power consumption demand.
- Cloud energy management App for data collection and remote control.



OH3000TL/OH5000TL | Specifications

Model	OH3000TL	OH3000TL-HP	OH5000TL
Battery Data			
Battery Type	Lead-Acid	Lithium / Lead-Acid	Lithium / Lead-Acid
Nominal Battery Voltage (V)	24	24	48
Max. Continuous Charging Current (A)	120	120	80
Max. Charge Power (W)	3200	3200	4500
Max. Discharge Power (W)	3000	3000	5000
PV String Input Data			
Max. Input Power (W)	2000	4000	6000
Max. Input Voltage (V)	145	500	500
MPPT Operating Voltage Range (V)	30-115	120-430	120-430
Start-up Voltage (V)	30	150	150
Nominal Input Voltage (V)	100	300	300
Number of MPP Trackers	1	1	1
Number of Strings per MPPT	1	1	1
AC Output Data			
Rated Power (W)	3000	3000	5000
Nominal Output Current (A)	13.6	13.6	21.7
Nominal Output Voltage (V)	208 / 220 / 230 / 240 VAC	208 / 220 / 230 / 240 VAC	208 / 220 / 230 / 240 VAC
Nominal Output Frequency (Hz)	50Hz / 60Hz	50Hz / 60Hz	50Hz / 60Hz
Output THDv	≤3% (Linear Load), ≤5% (Non-linear Load PF=0.7)		
Conversion Efficiency			
Max. Efficiency	93.5%	93.5%	93.6%
MPPT Efficiency	99.9%	99.9%	99.9%
Protection			
AC Overcurrent Protection	Integrated	Integrated	Integrated
AC Short Circuit Protection	Integrated	Integrated	Integrated
AC Overvoltage Protection	Integrated	Integrated	Integrated
Remote Shutdown	Integrated	Integrated	Integrated
Environmental / Ambient Conditions			
Operating Temperature Range (°C)	0 ~ +50	0 ~ +50	0 ~ +50
Excess Temperature Behaviour	continuous power reduction (derating)		
Relative Humidity	0 to 95 % (climate class 4k6), non-condensing		
Installation Altitude above Sea Level	up to 2000m above sea level		
Installation Location	Inside	Inside	Inside
Cooling Method	Air Cooling	Air Cooling	Air Cooling
Mechanical Data			
Dimensions (W × H × D mm)	300 x 485 x 120	300 x 485 x 120	300 x 485 x 120
Weight (kg)	8.8±0.5	8.8±0.5	9.5±0.5
Protection Level	IP20	IP20	IP20
Installation Type	Wall Installation with Wall Bracket		
Communications			
Display	LCD, WLAN + APP	LCD, WLAN + APP	LCD, WLAN + APP
Monitoring Settings	Integrated data logger	Integrated data logger	Integrated data logger
Communication with BMS	CAN	CAN	CAN
Communication with Portal	Wifi	Wifi	Wifi
Other Data			
Topology	Transformerless	Transformerless	Transformerless
Reliability	Integrated	Integrated	Integrated
Manufacturer's Warranty	2 Years	2 Years	2 Years
Product Certification			
Test Standards	EN IEC 61000-6-3:2021 EN IEC 61000-6-1:2019 EN 62920:2017+A1:2021 EN IEC 61000-3-2:2019/A1:2021 EN 61000-3-3:2013/A2:2021		